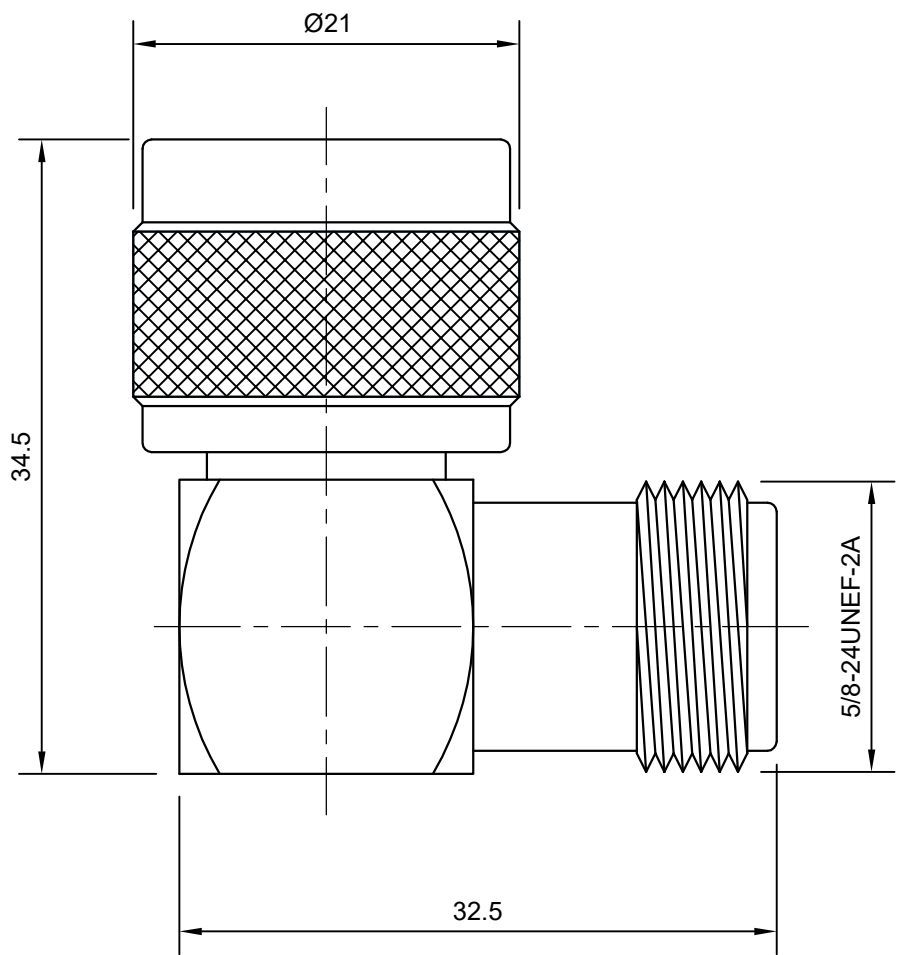


RevNo	Revision note	Date	Signature	Checked



**TECHNICAL DATA**

Type	Adapter
Orientation	Right Angle
Impedance (Ohms)	50
Adapter Side 1	N
Side 1 Gender	Plug
Adapter Side 2	N
Side 2 Gender	Jack
Body Finish	Nickel
Body Material	Brass
Contact Finish	Gold
Contact Material	Brass
Insulator Material	PTFE
Max. Frequency (GHz)	11
Mounting Feature	--
Min. Temp. (Celsius)	-65
Max. Temp. (Celsius)	165
Weight (Grams)	62.0

	SHEET	1 of 1	SCALE	NTS
	<b>RF ADAPTER</b>			
	N Male to N Female			
	RIGHT ANGLE TYPE			
	DWG NO	VSW-AD-621271-R		
DRAWN	VINAY	15.10.2018		
CHECK				
APPR.	VINAY	15.10.2018		
ISSUED				
REV	R0			

FILE PATH: D:\VINSUR\DRAWINGS -- VINSUR\ADAPTERS\N - N  
 FILE NAME: ADAPTER - N Male to N Female Right Angle - VSW-AD-621271-R.dwg

SIZE